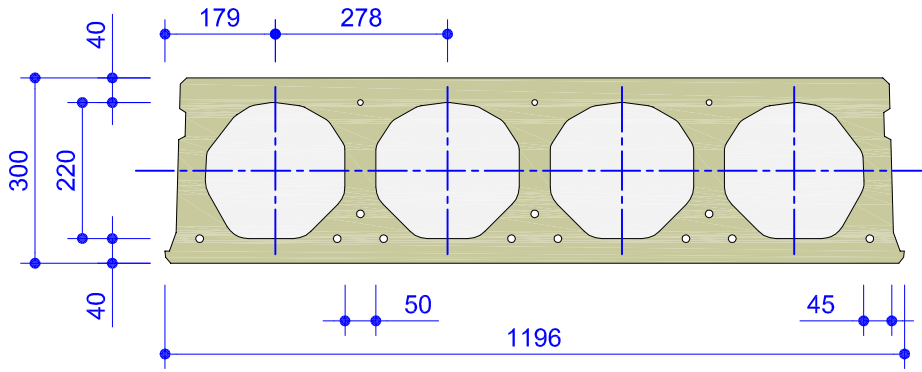
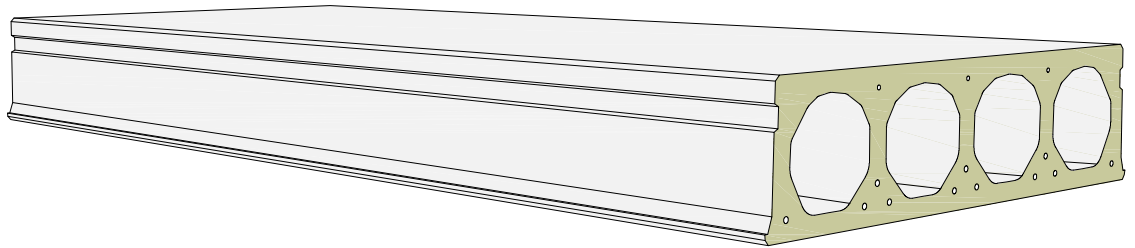


# PRESTRESSED HOLLOW CORE PANELS 300mm

Type HC 300/1



CROSS SECTION  
PROFILE 300mm



## SAFE LOAD TABLE

SPAN	SAFE LOAD	MAX. SAFE SHEAR	SAFE LOAD	MAX. SAFE SHEAR
	<i>kg/sqm</i>	<i>tn/panel</i>	<i>kg/sqm</i> with 100mm topplng	<i>tn/panel</i> with 100mm topping
3.00m	2,991	5.38	6,899	12.42
3.50m	2,519	5.29	5,839	12.26
4.00m	2,166	5.20	5,043	12.10
4.50m	1,891	5.11	4,425	11.95
5.00m	1,671	5.01	3,930	11.79
5.50m	1,491	4.92	3,525	11.63
6.00m	1,341	4.83	3,187	11.47
6.50m	1,214	4.74	2,902	11.32
7.00m	1,105	4.64	2,657	11.16
7.50m	1,011	4.55	2,445	11.00
8.00m	929	4.46	2,259	10.85
8.50m	856	4.37	2,096	10.69
9.00m	791	4.27	1,898	10.53
9.50m	733	4.18	1,650	10.37
10.00m	681	4.09	1,438	10.22
10.50m	634	4.00	1,255	10.06
11.00m	591	3.90	1,097	9.90
11.50m	552	3.81	959	9.74
12.00m	516	3.72	838	9.59
12.50m	483	3.62	731	9.43
13.00m	442	3.53	637	9.27
13.50m	388	3.44	552	9.11
14.00m	339	3.35	477	8.96

WIDTH	1200mm
HEIGHT	300mm
AREA	182200mm <sup>2</sup>
SELF WEIGHT	437kg/m
CENTROID	X - 600mm Y - 149mm
MOMENTS OF INERTIA	I - 2.09 x 10 <sup>8</sup> mm <sup>4</sup>

Concrete topping should be grade C25/30 or higher  
It is suggested that a minimum of A142 steel mesh be inserted within the concrete topping  
Safe Load and Max. Safe Shear refer to unfactored loads

All Dimension are in Millimetres (mm) unless otherwise stated



The above tables are for guidance only. For further information contact us at:

Tel: (+356) 21653005, 21653802 Fax (+356) 21659536  
Email: info@generalprecastconcrete.com