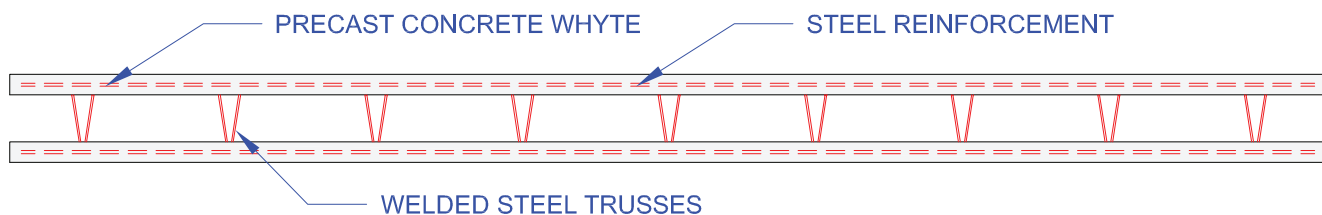
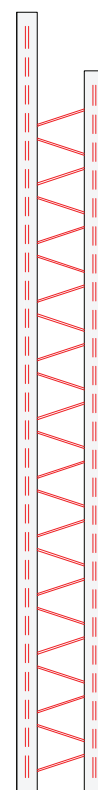
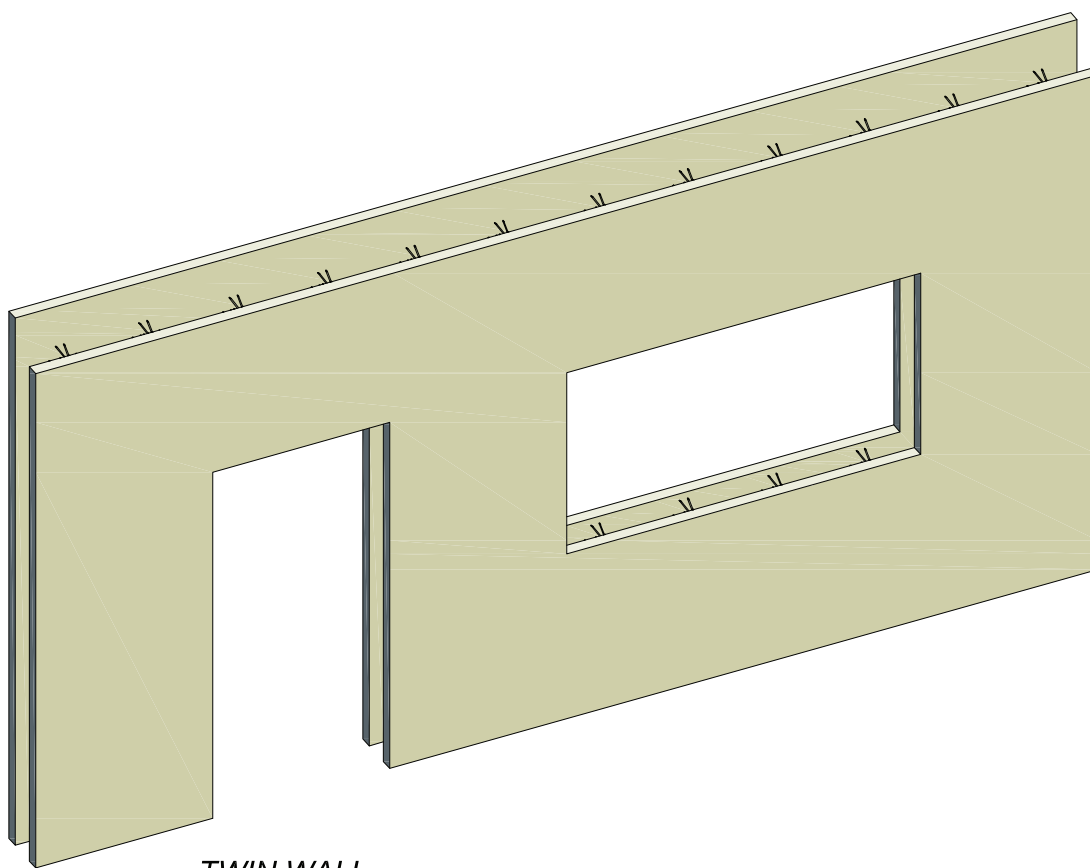


PRECAST TWIN WALLS



TOP VIEW



These consist of two factory produced reinforced concrete slabs with a core of in-situ concrete in between. The two slabs are normally 50 mm thick and are connected by means of lattice girders (trusses). The precast slabs and cast in-situ concrete act like a monolithically produced concrete reinforced wall. Further reinforcement can be placed either in the precast slabs or in the in-situ concrete