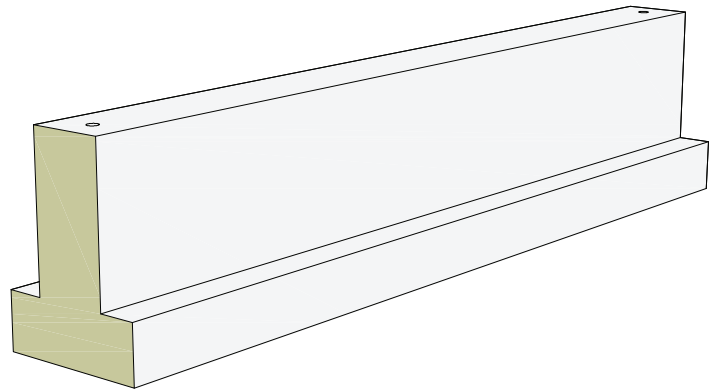
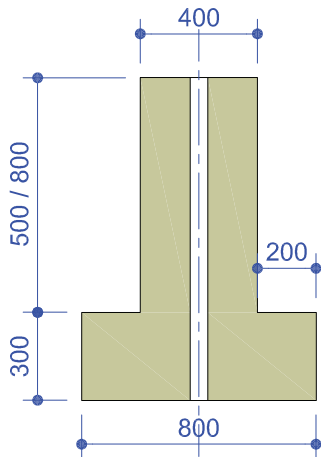


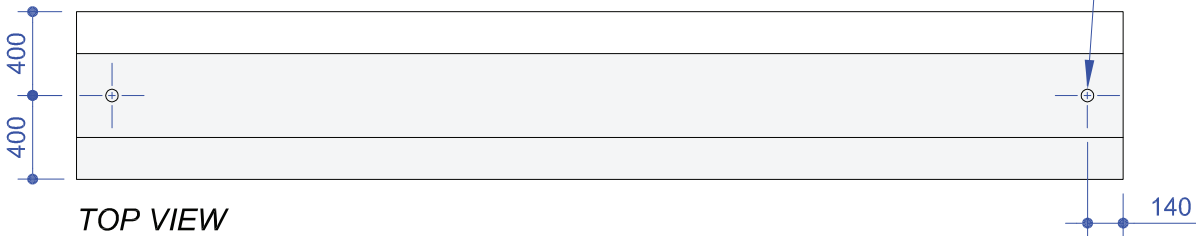
# PRESTRESSED / REINFORCED CONCRETE INVERTED T-BEAM



CROSS SECTION PROFILE

VARIES

CORRUGATED PIPE

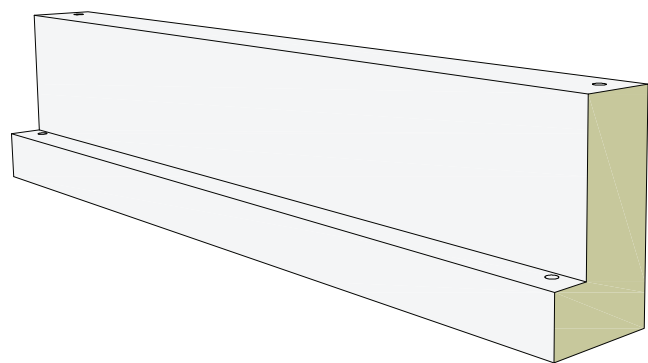
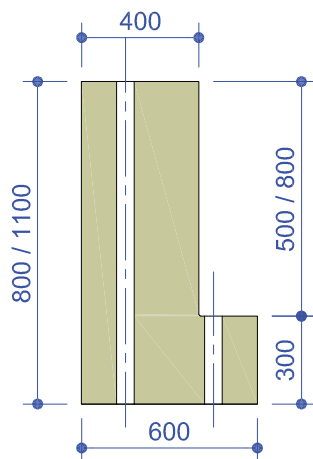


TOP VIEW

ALL DIMENSIONS ARE IN MILLIMETRES (mm) UNLESS OTHERWISE STATED

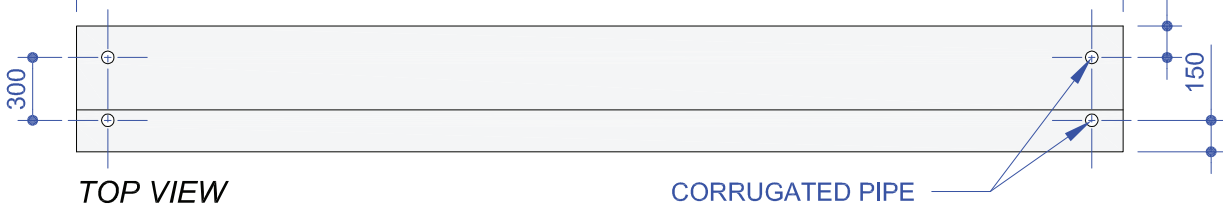
INTERNAL BEAM SUPPORT TO PRESTRESSED TT BEAM

# PRESTRESSED / REINFORCED CONCRETE L-BEAM



CROSS SECTION PROFILE

VARIES



TOP VIEW

CORRUGATED PIPE

EXTERNAL BEAM SUPPORT TO PRESTRESSED TT BEAM

ALL DIMENSIONS ARE IN MILLIMETRES (mm) UNLESS OTHERWISE STATED