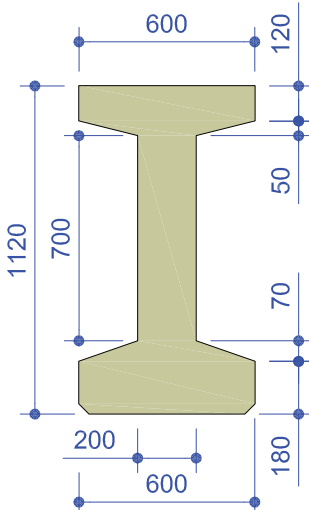
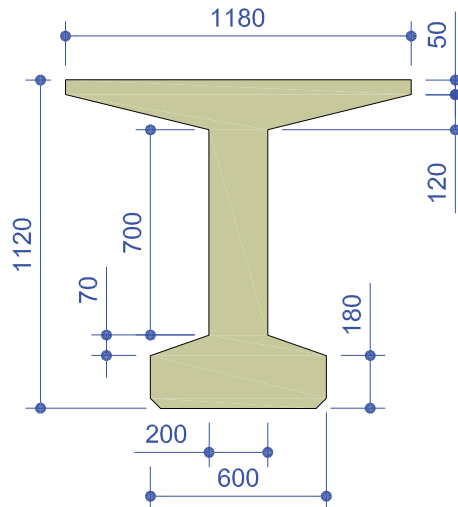


PRESTRESSED I-BEAMS



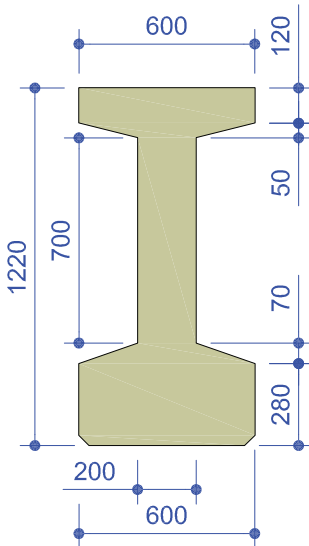
Ag	= 3799cm ²
Weight	= 931kg/m
h	= 112cm
S _i	= 48093cm ³
J	= 5707792cm ⁴
i	= 38.76cm
Y _{inf}	= 51.97cm
Ws	= 95079cm ³
Wi	= 109832cm ³

CROSS SECTION PROFILE - 600 x 1100



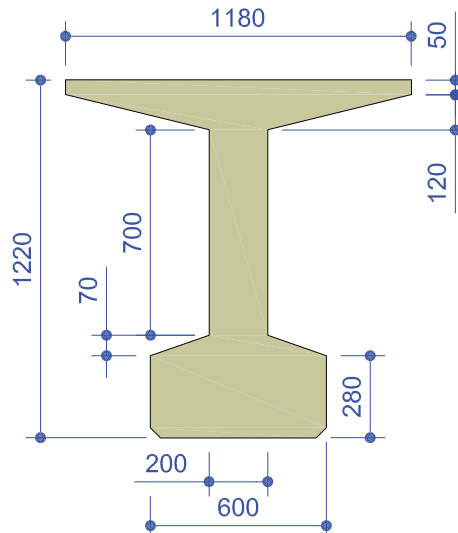
Ag	= 4297cm ²
Weight	= 1052kg/m
h	= 112cm
S _i	= 66602cm ³
J	= 7066863cm ⁴
i	= 40.55cm
Y _{inf}	= 58.40cm
Ws	= 131837cm ³
Wi	= 121013cm ³

CROSS SECTION PROFILE - 1200 x 1100



Ag	= 4473cm ²
Weight	= 1096kg/m
h	= 122cm
S _i	= 55955cm ³
J	= 7554441cm ⁴
i	= 41.09cm
Y _{inf}	= 53.42cm
Ws	= 110157cm ³
Wi	= 141412cm ³

CROSS SECTION PROFILE - 600 x 1200



Ag	= 4971cm ²
Weight	= 1218kg/m
h	= 122cm
S _i	= 78743cm ³
J	= 9395254cm ⁴
i	= 43.47cm
Y _{inf}	= 59.83cm
Ws	= 151132cm ³
Wi	= 157020cm ³

CROSS SECTION PROFILE - 1200 x 1200

