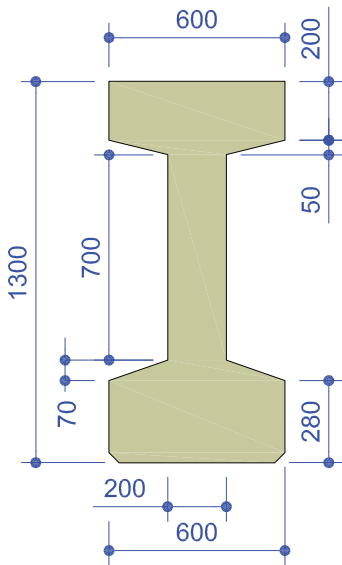
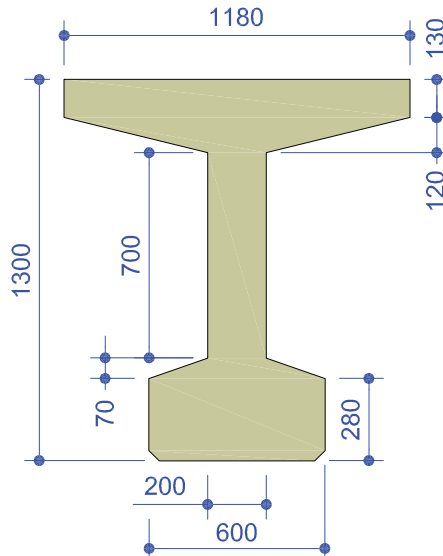


PRESTRESSED I-BEAMS



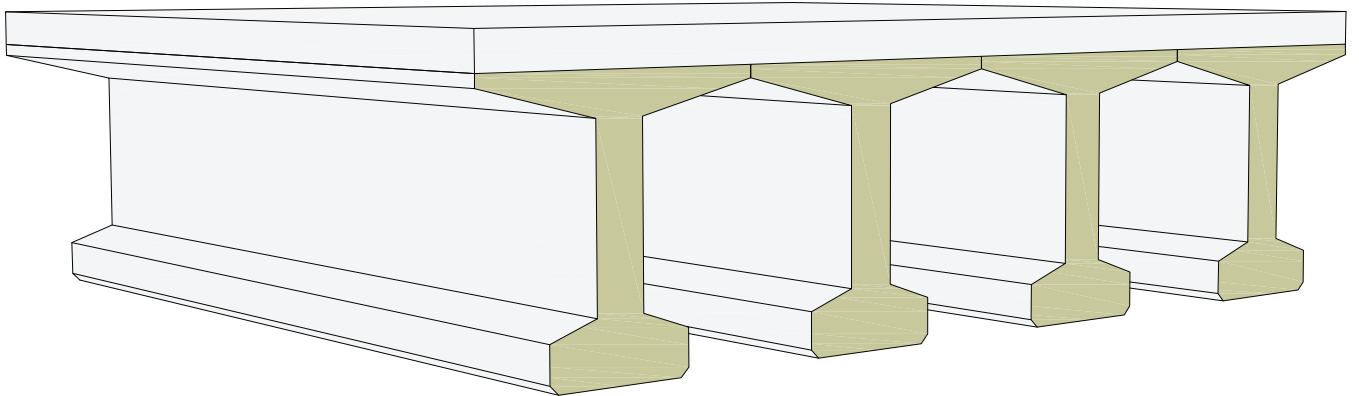
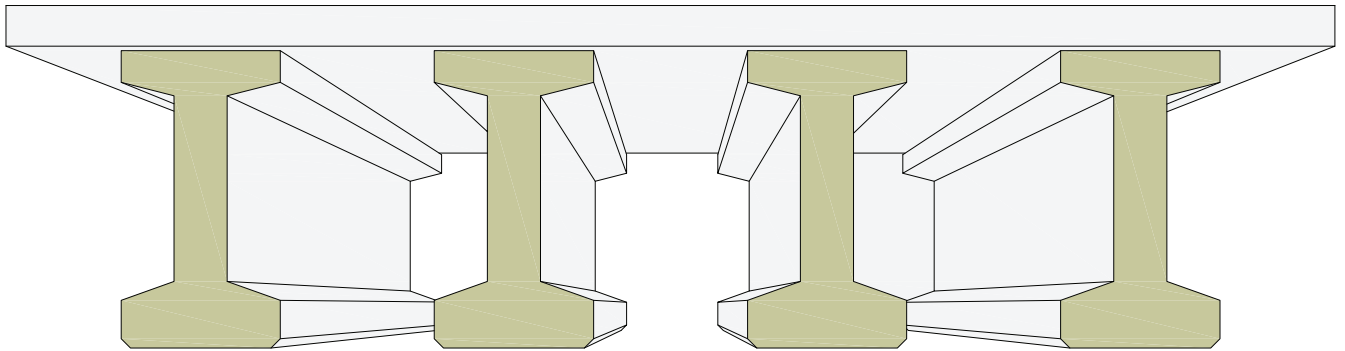
Ag	= 4990cm ²
Weight	= 1223kg/m
h	= 130cm
S ₁	= 81248cm ³
J	= 9882306cm ⁴
i	= 44.50cm
Y _{inf}	= 60.24cm
Ws	= 141660cm ³
Wi	= 164050cm ³

CROSS SECTION PROFILE - 600 x 1300



Ag	= 5952cm ²
Weight	= 1458kg/m
h	= 130cm
S ₁	= 116837cm ³
J	= 12940250cm ⁴
i	= 46.62cm
Y _{inf}	= 70.15cm
Ws	= 216214cm ³
Wi	= 184463cm ³

CROSS SECTION PROFILE - 1200 x 1300



Note:

1. Section properties and safe spans can be increased by taking into consideration bridge deck or in-situ concrete stitch
2. The variability of conditions of loading and span will determine section to be used and our technical office can provide full information.

Material Characteristic; Concrete grade - 45/35, Cables Tension - 1300MN/sqm

